

## Application data

Beam style	variable-spread, well-defined soft beam
Suitable for	medium to large scale theatre
Specification level	economy range
Beam angle	10° - 56°
Typical throw distance	2 - 15m

## Electrical data

Supply Volts	230/240V AC single phase
Max. Lamp Watts	1200W
Lamp base	GX9.5
Auto-disconnect	no
Cable/connection	1.5m, 3 x 1.5mm <sup>2</sup> flexible cable to bare ends
Standards Compliance	EN60598-2-17, CE marked

## Mechanical data

Paint/Finish	black, white or silver epoxy powder paint
Lamp House Construction	extruded aluminium and sheet steel
Reflector	100mm diameter aluminium
Lens	150mm diameter Fresnel
Mounting & suspension	steel stirrup with 12mm centre hole and DIN mounting. Stirrup rotates 360° around the body of the luminaire
Rear handle	yes
Weight/Packed weight	5.6kg / 7.0kg
Overall dimensions	250mm(w) x 365mm(d) x 240mm(h) max 350mm(h)
Packed volume	0.05m <sup>3</sup>
Filter cut size	185 x 185mm
Accessory runners	3 slots
Safety guard	included
Colour frame	metal, 185x185mm, supplied
Lamp access	sliding top cover
Lens access	front and via lamp access

## Operational data

Focus adjustment	slide focus with control underneath
Working position	max. tilting ±90° from horizontal
Beam Shaping	using barndoor accessory
Positional adjustment	single rim-clamp tilt lock

## Lamp types

650W	CP67 3200K 120 hrs / T21 3000K 900 hrs
1000W	CP70 3200K 240 hrs / T19 3050K 900 hrs
1200W	CP90 3200K 240 hrs / T29 3000K 480 hrs

## LDR recommends Phillips lamps

## Accessories

Lamps	see above
Spare metal colour frame	■20100106 □20100106B ■20100106C
Spare safety guard	■20100206 □20100206B ■20100206C
4-leaf barndoor	■20100306 □20100306B ■20100306C □■20100306D ■20100306E
Hook clamp	20100900
Alu-grip clamp	20101100
Safety bond	20101200
Colour scroller Xpress 18	20106006 with mounting plate 20600006

## Photometric data

Spot focus	CP90									
Beam dia.	1.2	1.4	1.6	1.7	1.9	2.1	2.3	2.4	2.6	m
lux	2612	2000	1580	1280	1058	889	757	653	569	
Distance	7	8	9	10	11	12	13	14	15	m

Flood focus										
Beam dia.	2.1	3.2	4.3	5.3	6.4	7.4	8.5	9.6	10.6	m
lux	3200	1422	800	512	356	261	200	158	128	
Distance	2	3	4	5	6	7	8	9	10	m

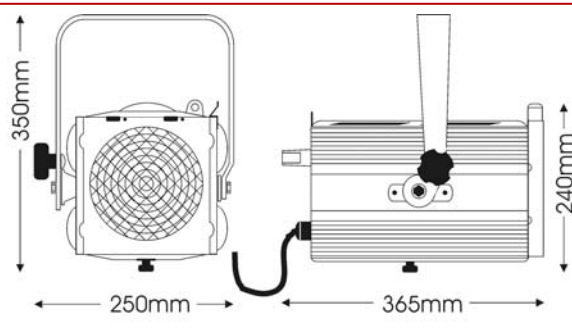
LUCI DELLA RIBALTA PROFESSIONAL LIGHTING PRODUCTS

# aria<sup>®</sup> f1000 plus

## 650W – 1200W

### fresnel

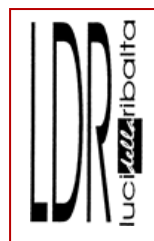
part number : ■10801000 □10801001 ■10801002



Quality, yet budget-priced, versatile 650W-1200W fresnel spotlight producing a variable-spread soft-edged beam.

It is ideal for general stage lighting illumination in medium-sized venues and is supplied with a colour frame, safety guard and 1.5m mains cable.

A full range of accessories in different colours is available as optional extra



Luci della Ribalta srl  
Via Berna 14  
46042 Castel Goffredo (MN), Italy  
tel: +39 0376 771777  
fax: +39 0376 772140  
[www.ldr.it](http://www.ldr.it) [info@ldr.it](mailto:info@ldr.it)

issue: ap ©2006. LDR reserves the right to alter the specification without prior notice.