

Application data

Beam style	well-defined, flat field profile projection
Suitable for	medium / large scale theatre
Specification level	professional range
Beam angle	8° - 22°
Typical throw distance	10 - 40m

Electrical data

Supply Volts	230/240V AC single phase to ballast unit
Max. Lamp Watts	1200W
Lamp base	G22
Auto-disconnect	double-pole microswitch
Cable/connection	2m, multicore cable to ballast, 2m 3x2.5mm ² bare ended cable to power
Standards Compliance	EN60598-2-17, CE marked

Mechanical data

Paint/Finish	black epoxy powder paint
Lamp House Construction	extruded aluminium and sheet steel
Ballast	external unit (supplied) with on/off switch
Reflector	68mm diameter glass
Optical system	double condenser with variable zoom
Mounting & suspension	steel stirrup with 12mm centre hole and DIN mounting. Spigot for ø28mm tube supplied
Handle	one, covering rear and side of the followspot
Weight/Packed weight	19,8kg / 23,7kg - ballast: 1,6,5kg / 17,5 kg
Overall dimensions	350mm (w) x 980mm (d) x 232mm (h) max 430mm (h) see drawing
Packed volume	0.204m ³ ballast: 0.049m ³
Filter cut size	185 x 185mm
Accessory runners	3 slots
Colour frame	metal, 185 x 185mm, supplied
Lamp access	lowering base
Lens access	sliding panels beneath lamp tube

Operational data

Focus adjustment	slide zoom controls (dia./softness) at side
Lamp alignment	factory set
Beam Shaping	20-leaf iris included; shutters: accessories
Dimming	optical dimmer iris included
Positional adjustment	lever tilt clamp

Lamp types

1200W 5900K	Philips 1200 MSR G22 800 hrs
1200W 6000K	Philips 1200 MSD G22 3.000 hrs
1200W 7200K	Philips 1200 MSR/2 G22 800 hrs

LDR recommends Philips lamps

Accessories

Lamps	see above
Spare colour frame	20100106
Spare iris diaphragm	20100707 Gobo holder, A/B size 20100807
Black tripod	20102401 Chrome plated tripod 20102402
5-colour colour changer	20105106 Spare spigot ø28mm 20102200
Stirrup-kit for suspension	20102900
Xpress-Follow, scroller kit	20657180 scroller/Colour Commander/cable
Flight case with braking wheels	20107080 for f.spot/ballast/col.chang./tripod

Photometric data

Narrow focus		1200 MSR									
Beam dia.		2.52	2.73	2.93	3.14	3.35	3.56	3.77	3.98	4.19	m
lux		3863	3291	2838	2472	2173	1925	1717	1541	1391	
Distance		24	26	28	30	32	34	36	38	40	m

Wide focus											
Beam dia.		2.63	3.16	3.69	4.21	4.74	5.27	5.79	6.32	6.85	m
lux		5563	3863	2838	2173	1717	1391	1149	966	823	
Distance		10	12	14	16	18	20	22	24	26	m

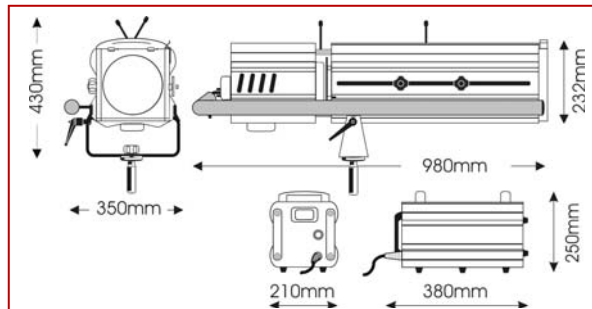
LUCI DELLA RIBALTA PROFESSIONAL LIGHTING PRODUCTS

Canto® 1200msd/msr MK2

230V 50/60Hz

discharge followspot

part number : 10857180



The most popular and most powerful discharge source in the Canto® range, the 1200W MSR/MSD has been completely re-engineered to offer the market an even wider and better set of features. A large, user-friendly side handle, new mechanics on the mechanical dimmer and a number of new features add to the existing specifications which have made Canto® a world-wide success.

Canto® 1200msd/msr is delivered complete with colour frame, 20-leaf iris, mechanical dimmer, separate ballast unit and spigot.



Luci della Ribalta srl
Via Berna 14
46042 Castel Goffredo (MN), Italy
tel: +39 0376 771777
fax: +39 0376 772140
www.ldr.it info@ldr.it

issue: ap ©2006. LDR reserves the right to alter the specification without prior notice