

## Application data

Beam style	well-defined, flat field profile projection
Suitable for	medium / large scale theatre
Specification level	professional range
Beam angle	8° - 22°
Typical throw distance	10 – 35m

## Electrical data

Supply Volts	230/240V AC single phase to ballast unit
Max. Lamp Watts	700W
Lamp base	G22
Auto-disconnect	double-pole microswitch
Cable/connection	2m, multicore cable to ballast, 2m 3x2.5mm <sup>2</sup> bare ended cable to power
Standards Compliance	EN60598-2-17, CE marked

## Mechanical data

Paint/Finish	black epoxy powder paint
Lamp House Construction	extruded aluminium and sheet steel
Ballast	external unit (supplied) with on/off switch
Reflector	68mm diameter glass
Optical system	double condenser with variable zoom
Mounting & suspension	steel stirrup with 12mm centre hole and DIN mounting. Spigot for ø28mm tube supplied
Handle	rear and side
Weight/Packed weight	19,8kg / 24,7kg – ballast 16,5kg / 17,5kg
Overall dimensions	350mm (w) x 980mm (d) x 232mm (h) x max 430mm (h), see drawing
Packed volume	0.204m <sup>3</sup> ballast: 0.049m <sup>3</sup>
Filter cut size	185 x 185mm
Accessory runners	3 slots
Colour frame	metal, 185 x 185mm, supplied
Lamp access	lowering base
Lens access	sliding panels beneath lamp tube

## Operational data

Focus adjustment	slide zoom controls (dia/softness) at side
Lamp alignment	factory set
Beam Shaping	20-leaf iris included; shutters are accessories
Dimming	optical dimmer iris included
Positional adjustment	lever tilt clamp

## Lamp types

700W 6000K	Philips MSD 700 G22 3.000 hrs
700W 7200K	Philips MSR 700/2 G22 1.000 hrs

LDR recommends Philips lamps

## Accessories

Lamps	see above		
Spare colour frame	20100106		
Spare iris diaphragm	20100707	Gobo holder, A/B size	20100807
Black tripod	20102401	Chrome plated tripod	20102402
5-colour colour changer	20105106	Spare spigot ø28mm	20102200
Stirrup-kit for suspension	20102900		
Xpress-Follow, scroller kit	20657180 scroller/Colour Commander/cable		
Flight case with braking wheels	20107080 for f.spot/ballast/col.chang./tripod		

## Photometric data

Narrow focus		700 MSR									
Beam dia.	1.89	2.1	2.31	2.52	2.73	2.93	3.14	3.35	3.56	m	
lux	3507	2841	2348	1973	1681	1449	1263	1110	983		
Distance	18	20	22	24	26	28	30	32	34	m	

Wide focus											
Beam dia.	2.63	3.16	3.69	4.21	4.74	5.27	5.79	6.32	6.85	m	
lux	2727	1894	1391	1065	842	682	563	473	403		
Distance	10	12	14	16	18	20	22	24	26	m	

LUCI DELLA RIBALTA PROFESSIONAL LIGHTING PRODUCTS

# Canto® 700msd/msr MK2

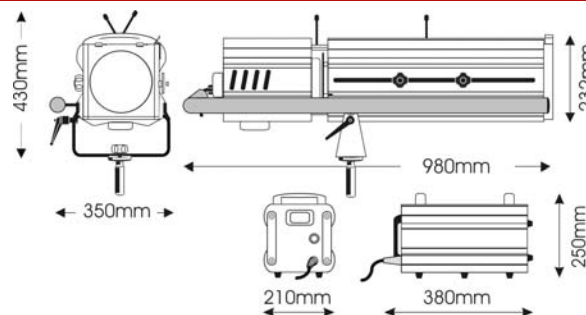
## 230V 50/60Hz

### discharge followspot

part number : 10707180



CE



For more power at middle distance throws, this 700W MSR or MSD-powered discharge followspot is the obvious choice. Canto® 700 has been completely re-engineered to offer the market an even wider and better set of features. A large, user-friendly side handle, new mechanics on the mechanical dimmer and a number of new features add to the existing specifications which have made Canto® a world-wide success.

An external ballast, iris, mechanical dimmer, spigot, colour frame and 2m mains cable are all included. A 5-colour colour changer is available as an optional extra.



Luci della Ribalta srl  
Via Berna 14  
46042 Castel Goffredo (MN), Italy  
tel: +39 0376 771777  
fax: +39 0376 772140  
[www.ldr.it](http://www.ldr.it) [info@ldr.it](mailto:info@ldr.it)

Issue: ap ©2006. LDR reserves the right to alter present specifications without prior notice.