

Application data

Beam style	variable-spread, well-defined soft beam
Suitable for	medium to large scale theatre
Specification level	professional range
Beam angle	10° - 56°
Typical throw distance	2 - 15m

Electrical data

Supply Volts	230/240V AC single phase
Max. Lamp Watts	1200W
Lamp base	GX9.5
Auto-disconnect	double-pole microswitch
Cable/connection	1.5m, 3 x 1.5mm ² flexible cable to bare ends
Standards Compliance	EN60598-2-17, CE marked

Mechanical data

Paint/Finish	black, white or silver epoxy powder paint
Lamp House Construction	extruded aluminium and sheet steel
Reflector	100mm diameter aluminium
Lens	150mm diameter Fresnel
Mounting & suspension	steel stirrup with 12mm centre hole and DIN mounting. Stirrup rotates 360° around the body of the luminaire
Rear handle	yes
Weight/Packed weight	5.8kg / 7.2kg
Overall dimensions	250mm(w) x 365mm(d) x 250mm(h) max 360mm(h)
Packed volume	0.05m ³
Filter cut size	185 x 185mm
Accessory runners	3 slots
Safety guard	included
Colour frame	metal, 185x185mm, supplied
Lamp access	hinged base
Lens access	front and via lamp access

Operational data

Focus adjustment	screw-focus with front and rear control
Working position	max. tilting ±90° from horizontal
Beam Shaping	using barndoor accessory
Positional adjustment	single rim-clamp tilt lock

Lamp types

650W	CP67 3200K 120 hrs / T21 3000K 900 hrs
1000W	CP70 3200K 240 hrs / T19 3050K 900 hrs
1200W	CP90 3200K 240 hrs / T29 3000K 480 hrs

LDR recommends Phillips lamps

Accessories

Lamps	see above
Spare metal colour frame	■20100106 □20100106B ■20100106C
Spare safety guard	■20100206 □20100206B ■20100206C
4-leaf barndoor	■20100306 □20100306B ■20100306C □■20100306D ■■20100306E
Hook clamp	20100900
Alu-grip clamp	20101100
Safety bond	20101200
Colour Scroller Xpress 18DC	20106006 with mounting plate 20600006

Photometric data

Spot focus	CP90									
Beam dia.	1.2	1.4	1.6	1.7	1.9	2.1	2.3	2.4	2.6	m
lux	2612	2000	1580	1280	1058	889	757	653	569	
Distance	7	8	9	10	11	12	13	14	15	m

Flood focus

Beam dia.	2.1	3.2	4.3	5.3	6.4	7.4	8.5	9.6	10.6	m
lux	3200	1422	800	512	356	261	200	158	128	
Distance	2	3	4	5	6	7	8	9	10	m

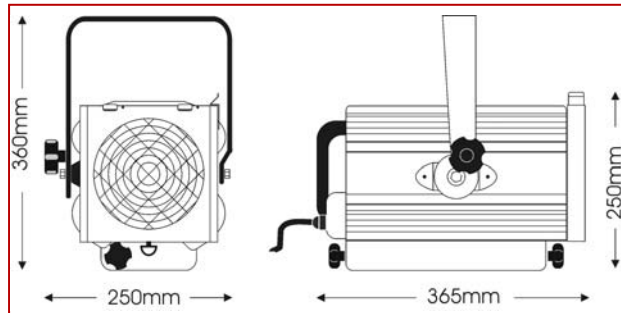
LUCI DELLA RIBALTA PROFESSIONAL LIGHTING PRODUCTS

nota[®] f1 200 plus

650W – 1200W

fresnel

part number : ■10851000 □10851001 ■10851002



Quality 1/1200W fresnel spotlight including screw focus variable spread soft-edged beam, front hinging lamp tray, tilt lock and double-microswitch interlock for safe lamp replacement.

A colour frame, safety guard and 1.5m mains cable are included as standard.

LDR
luci della ribalta

Luci della Ribalta srl
Via Berna 14
46042 Castel Goffredo (MN), Italy
tel: +39 0376 771777
fax: +39 0376 772140
www.ldr.it info@ldr.it

issue: ap ©2006. LDR reserves the right to alter the specification without prior notice.