

Application data

Beam style	variable-spread, well-defined soft beam
Suitable for	theatre, clubs, small stage areas
Specification level	professional range
Beam angle	7° - 60°
Typical throw distance	2 - 10m

Electrical data

Supply Volts	230/240V AC single phase
Max. Lamp Watts	650W
Lamp base	GY9.5
Auto-disconnect	double-pole microswitch
Cable/connection	1.5m, 3x1.5mm ² flexible cable to bare ends
Standards Compliance	EN60598-2-17, CE marked

Mechanical data

Paint/Finish	black epoxy powder paint
Lamp House Construction	extruded aluminium and sheet steel
Reflector	55mm diameter glass
Lens	120mm diameter Fresnel
Mounting & suspension	steel stirrup with 12mm centre hole and DIN mounting. Stirrup rotates 360° around the body of the luminaire
Rear handle	yes
Weight/Packed weight	4.1kg / 5,5 kg
Overall dimensions	210mm(w) x 305mm(d) x210mm(h) max 295mm(h)
Packed volume	0.021m ³
Filter cut size	150 x 150mm
Accessory runners	3 slots
Safety guard	included
Colour frame	metal, 150x150mm, supplied
Lamp access	hinged base
Lens access	front and via lamp access

Operational data

Focus adjustment	screw focus with control at rear
Working position	max. tilting ±90° from horizontal
Beam Shaping	using barndoor accessory
Positional adjustment	single rim-clamp tilt lock

Lamp types

300W	M38 2950K 2000 hrs
500W	T18 3000K 360 hrs / T25 3000K 360 hrs / M40 2950K 2.000 hrs
650W	T26 3050K 600 hrs / T27 3050K 600 hrs

LDR recommends Phillips lamps

Accessories

Lamps	see above
Spare metal colour frame	■20100103 □20100103B ■20100103C
Spare safety guard	■20100203 □20100203B ■20100203C
4-leaf barndoor	■20100303 □20100303B ■20100303C □■20100303D ■■20100303E
Hook clamp	20100900
Alu-grip clamp	20101100
Safety bond	20101200
Colour scroller Xpress 12DC	20106003 with mounting plate 20600003

Photometric data

Spot focus	T27									
Beam dia.	0.2	0.4	0.5	0.6	0.7	0.9	1.0	1.1	1.2	m
lux	16600	7378	4150	2656	1844	1355	1038	820	664	
Distance	2	3	4	5	6	7	8	9	10	m

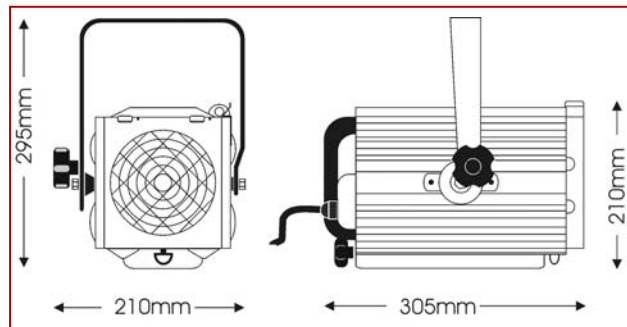
Flood focus										
Beam dia.	2.3	3.5	4.6	5.8	6.9	8.1	9.2	10.4	11.5	m
lux	3096	1376	774	495	344	253	194	153	124	
Distance	2	3	4	5	6	7	8	9	10	m

LUCI DELLA RIBALTA PROFESSIONAL LIGHTING PRODUCTS

suono® f650 plus

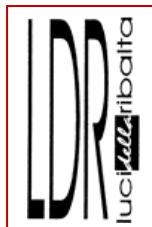
650W fresnel

part number : ■10601010 □10601011 ■10601012



Compact, quality 500W/650W Fresnel spotlight, ideal for professional applications in smaller venues.

The soft-edged beam is adjustable by a screw-focus mechanism, and the design also includes a glass reflector and a double-microswitch interlock for safe lamp replacement. A colour frame, safety guard and 1.5m mains cable are all included as standard.



Luci della Ribalta srl
Via Berna 14
46042 Castel Goffredo (MN), Italy
tel: +39 0376 771777
fax: +39 0376 772140
www.ldr.it info@ldr.it

issue: ap ©2006. LDR reserves the right to alter the specification without prior notice.